

## 200-SERIES - WIDE DYNAMIC RANGE CAMERA

CM-216



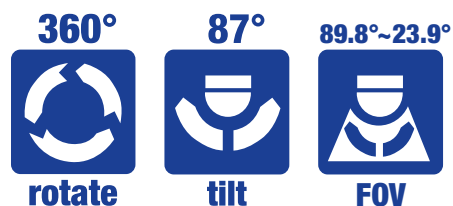
### DESCRIPTION

OpenEye's CM-216 wide dynamic range camera is perfectly suited for recording any outdoor facing location where high contrast sunlight and indoor lighting is a problem. With features such as DSP image processing for high contrast recording, a varifocal lens, and tamper resistant design, the 200-Series domes are a smart choice for indoor surveillance applications.

OpenEye 200-Series cameras are compatible with both 12vDC and 24vAC power making them easy to add to an existing installation and come with a quick mount adapter—everything needed for a quick and easy out-of-the-box installation.

### HIGHLIGHTS

- » Tamper resistant construction
- » 3-axis gimbal for 360° positioning
- » Wide dynamic range
- » 540 TVL
- » Optically correct bubble
- » Varifocal lens
- » Dual voltage operation 12vDC / 24vAC



# 200-SERIES - WIDE DYNAMIC RANGE CAMERA

## CAMERA SPECIFICATIONS

	<b>CM-216</b>
<b>Image Sensor</b>	Pixim Seawolf 1/3"
<b>Imaging DSP</b>	Pixim Seawolf
<b>IP Rating</b>	IP55
<b>Type / Format</b>	NTSC / PAL
<b>Wide Dynamic Range</b>	WDR
<b>Minimum Illumination</b>	0.6 Lux @ F1.4 @ 50 IRE 0.3 Lux @ F1.4 @ 30 IRE
<b>Day / Night</b>	Digital Day/Night Function
<b>Horizontal TVL</b>	540TVL
<b>Service Monitor Jack</b>	Yes
<b>S/N Ratio</b>	>50dB
<b>Focal Length</b>	3.3~12mm
<b>Iris Control</b>	Auto-Iris
<b>Synchronization</b>	Internal / Line Lock
<b>Video Output</b>	1.0Vpp 75Ω BNC Unbalanced
<b>White Balance</b>	ATW, AWB
<b>Auto White Balance Range</b>	2800K ~ 9100K (Normal) 2000K ~ 11,000K (Ex Range)
<b>Backlight Compensation</b>	Full Range
<b>Auto Gain Control</b>	Yes
<b>Operating Temperature</b>	14° ~ 122° F (-10° ~ 50°C)
<b>Heater</b>	No
<b>Power Consumption</b>	2.88W Max
<b>Rated Amperage</b>	0.24A (12vDC) / 0.12A (24vAC)
<b>Input Voltage</b>	12vDC / 24vAC (± 10%)
<b>Weight</b>	0.6 lbs (0.27 kg)
<b>Dimensions</b>	<b>Dome:</b> ø3.9" (100mm) x <b>H:</b> 2.1" (55mm) <b>Housing:</b> ø4.7" (120mm) x <b>H:</b> 1.9" (50mm)
<b>Housing / Dome Cover</b>	White / Clear

### HIGH RESOLUTION

OpenEye's 200-Series dome cameras are available with high resolution sensors, providing users a better quality picture and allowing for easy identification in critical situations. The CM-216 cameras can record at up to 540 lines of resolution. The CM-216 cameras can be utilized in day and night applications recording in lighting as low as 0.3 lux.

### WIDE DYNAMIC RANGE

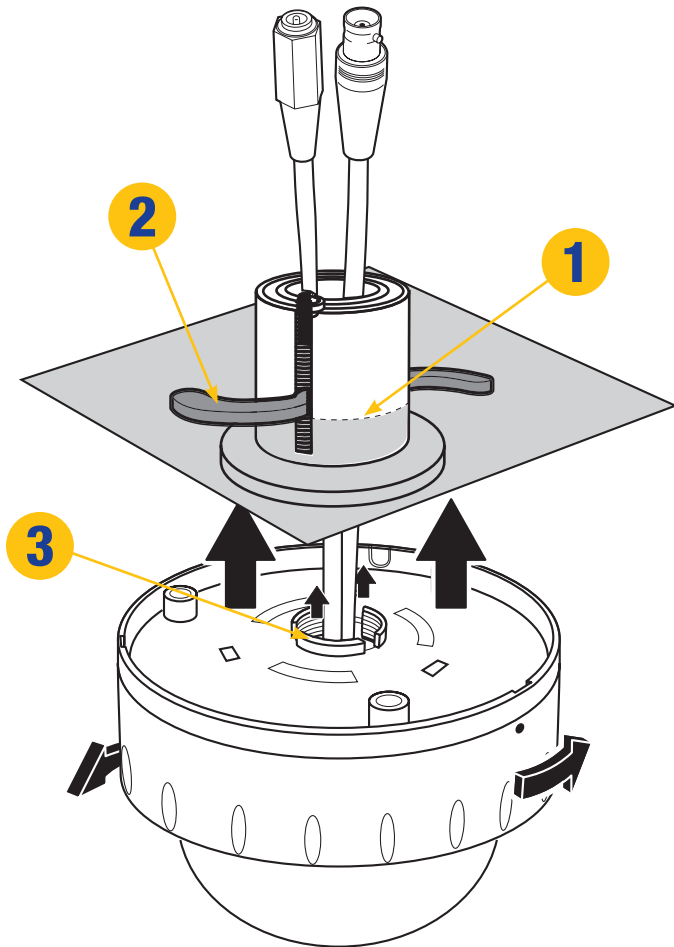
OpenEye's CM-216 Wide Dynamic Range Cameras utilizes Digital Signal Processing (DSP) technology to create the clearest image possible. DSP Technology provides unmatched image quality and superior image clarity in high dynamic lighting conditions. Cameras equipped with DSP technology will produce far superior recorded images in drastic lighting conditions such as direct sunlight.

# 200-SERIES - WIDE DYNAMIC RANGE CAMERA

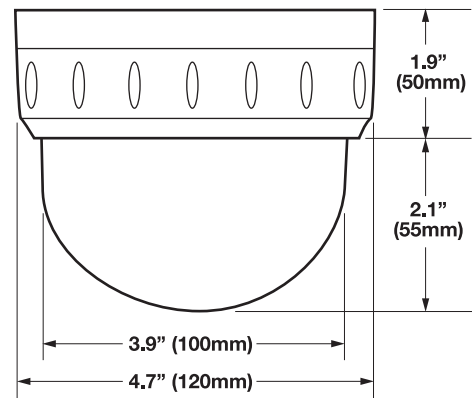
## QUICK MOUNT ADAPTER

Installing a camera using OpenEye's Quick Mount Adapter is as easy as 1...2...3. Perfect for attaching cameras to acoustic tile, drywall and other similar surfaces, the Quick Mount Adapter can reduce camera installation times by up to 80%. Quick Mount Adapters can be pre-installed by general labor, allow for easy camera service or future upgrades, and prevent damage to ceiling tiles and finished surfaces. For these reasons, and many more, OpenEye's Quick Mount Adapter is an excellent time and money saving device for the security installer.

- 1 Cut a hole in the mounting surface using the provided template.
- 2 Insert and secure the adapter by turning the fastening screws to lock it firmly in place.
- 3 Connect the video and power cables then attach the camera to the adapter.



## SYSTEM IMAGES



## CM-216 MODELS

**CM-216** Wide Dynamic Range 3.3~12 mm Lens

## ACCESSORIES / UPGRADES

<b>CA-200PMK</b>	Pendant Mount
<b>CA-200C</b>	Corner Mount
<b>CA-2004SM</b>	Electrical Mount
<b>CA-200W</b>	Pendant Wall Mount
<b>CA-200WM</b>	Wall Mount
<b>CA-200FMK</b>	Flush Mount