

600-SERIES - INDOOR IP DOME

CM-610



DESCRIPTION

OpenEye's 600-Series indoor IP cameras provide users with crisp IP video in a feature rich compact package.

Designed for quick and seamless integration with OpenEye network and hybrid recording solutions, 600-Series cameras include features such as Power over Ethernet, 1080p resolution, H.264 video compression and dual stream transmission. For convenient installation, all 600-Series indoor IP cameras are detected automatically by current model OpenEye recorders and are ONVIF compliant allowing integration with many other IP recording solutions on the market.

HIGHLIGHTS

- » ONVIF™ compliant
- » H.264 and MJPEG
- » Power over Ethernet
- » 2MP (1080p HD)
- » Dual streaming
- » Small form factor



600-SERIES - INDOOR IP DOME

CAMERA SPECIFICATIONS

	CM-610
Image Sensor	1/2.7" OmniVision Progressive CMOS
Imaging DSP	Ambrella
IP Rating	N / A
Type / Format	H.264 / MJPEG
Wide Dynamic Range	No
Minimum Illumination	0.2 Lux @ F1.2
Day / Night	Digital D/N
Resolution	2MP (1080p HD) [1920 x 1080]
Service Monitor Jack	No
S/N Ratio	>50dB
Focal Length	4mm
Iris Control	F1.5 Fixed
Synchronization	N / A
Video Output	None
White Balance	Manual / ATW / Outdoor / Indoor
AWB Range	1500 K - 15,000 K
Backlight Compensation	No
Auto Gain Control	AGC
Operating Temperature	32°F - 122°F (0°C - 50°C)
Heater	No
Power Consumption	3.8W
Rated Amperage	0.08A
Input Voltage	PoE Only
Weight	0.39 lbs. (0.18 kg)
Dimensions	4.3" (110mm) x 1.9" (50mm)
Housing / Dome Cover	White Clear

IP SPECIFICATIONS

Dual Streaming	H.264 + H.264, H.264 + MJPEG
Audio In	Mic only
Audio Out	No
Alarm Inputs	0
Relay Outputs	0
User Accounts	20

600-SERIES MODELS

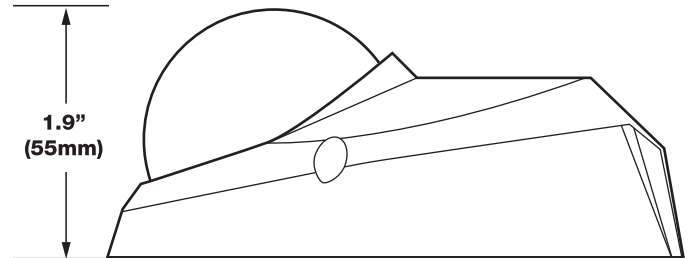
CM-610 Tamper Resistant Indoor IP Mini Dome

ONVIF™ COMPLIANT

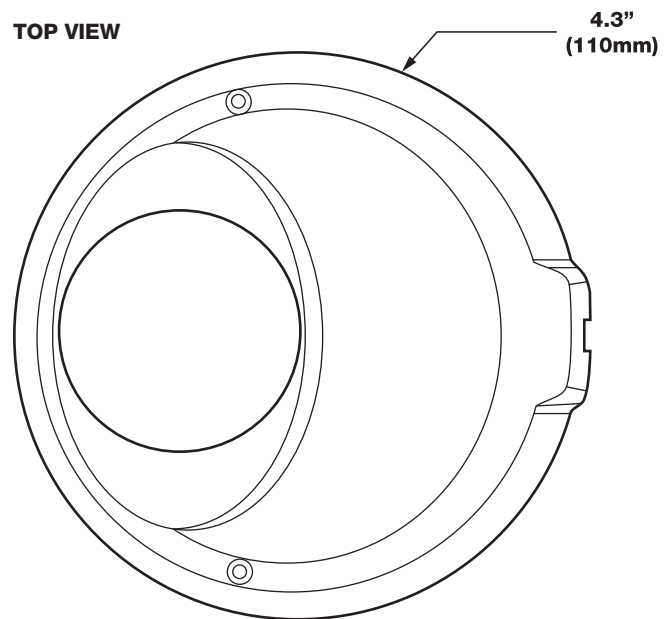
OpenEye's CM-610 camera conforms to ONVIF specifications for a wider range of IP-based security device compatibility.

SYSTEM IMAGES

SIDE VIEW



TOP VIEW



IP CONNECTION

